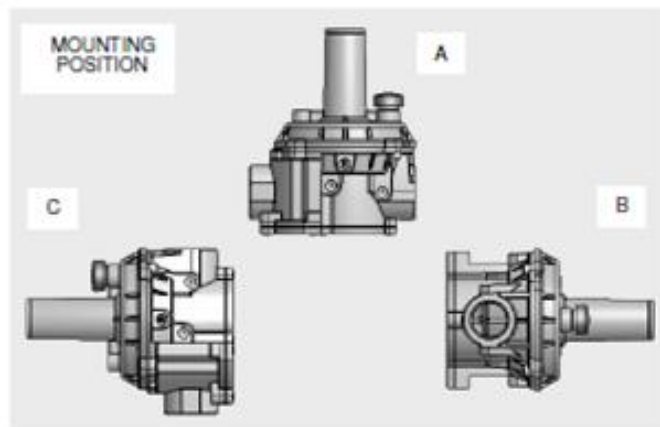


Technical Bulletin TB2019-03

Regarding a change to the Pietro Fiorentini Installation Manual

April 2nd, 2019

This Technical Bulletin provides information about a change in the Pietro Fiorentini Operating and Maintenance Manual regarding the mounting position of the Pietro Fiorentini line pressure regulators. The Pietro Fiorentini line regulator cannot be mounted upside down. The drawing below shows approved mounting positions.



This bulletin applies to the following Pietro Fiorentini line pressure regulators sold by Gastite.
Gastite Part# 30051-NG, 30052-NG, 30053-NG, 300153-NG and 30052-LP

For complete installation instructions, refer to the Pietro Fiorentini Operating and Maintenance Manual which is included with each regulator.