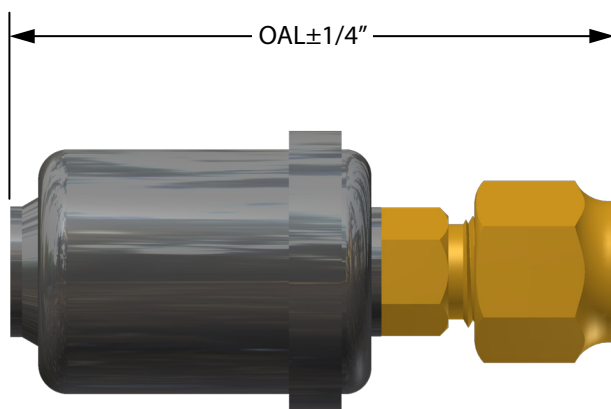
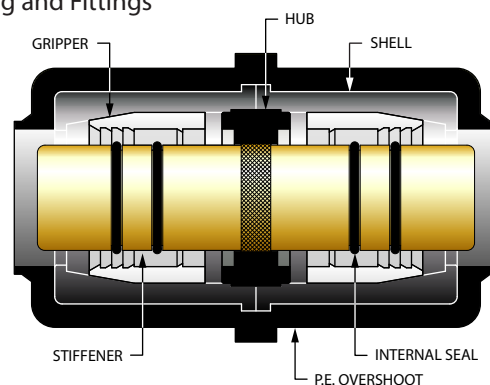
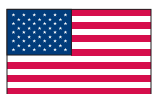


CON-STAB ID SEAL® FITTINGS

P.E. x Copper Transition Couplings

The Con-Stab meets the following standards:

- ▶ ASTM D 2513 "Standard Specification for Thermoplastic Gas Pressure Pipe, Tubing and Fittings"
- ▶ ASME B31.8-1995 "Gas Transmission and Distribution Piping Systems"
- ▶ D.O.T., Title 49 of the Code of Federal Regulations, Part 192.283 (b)
- ▶ NFPA 58, LP-Gas Code and NFPA 54 National Fuel Gas Code
- ▶ CSA
- ▶ ICC – International Plumbing Code
- ▶ IAPMO – Uniform Plumbing Code
- ▶ First Stab Connector to be rated at 125 psi
- ▶ Continental is a ISO 9001 Certified Company
- ▶ Made in the USA



P.E. SIZE	WALL	COPPER SIZE	PART NUMBER (3408/4710)	"OAL"
1/2" CTS (5/8" OD)	.090	1/4" OD	9943-99-0062-00	3 3/4"
		3/8" OD	9943-99-0063-00	4"
		1/2" OD	9943-99-0064-00	4 1/16"
		5/8" OD	9943-99-0065-00	4 1/16"
3/4" IPS	SDR-11 (.095)	5/8" OD	9943-99-0066-00	4"

- Con-Stab ID Seal® fittings rated for 125 psig.
- 45° Copper Flare made in accordance with SAE J513.
- Forged Flare nut made to ASTM B 283.

